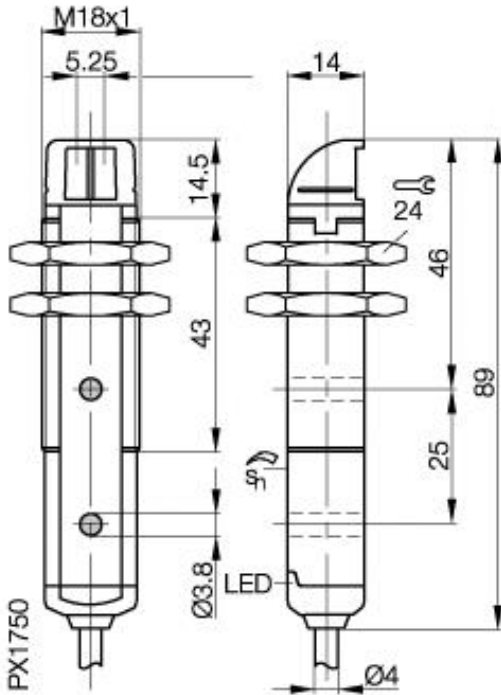


**Photoelectric Sensor**  
**BLS 18KW-XX-1LT-L-02**  
**Sn=50000mm**  
**through-beam, transmitter**



**Common Data**

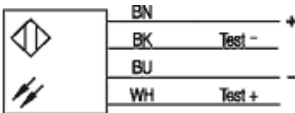
Series	18K
Sensortype	through-beam, transmitter
Rated operating distance Sn in mm	50000
asured operating distance Sa	0...50000
Indication Supply Voltage	yes, green LED
Ambient temperature	-10...+50°C
Off-delay	< 0,8ms
Light class 1	Laser, red, 650nm, Protection
Wavelength / Laser protection class	Test input
Diameter of active zone	approx.10mm at 20m

**Mechanical Data**

Measurements	M18x89
Shock	Halfsinus, 30gn, 11ms
Vibration	10...55Hz, 1,5mm Amplitude 3x2h
Housing material	PBT
Material of sensing face	PMMA
Degree of protection	IP67
Connection	Cable
Weigth	75g
Type of Cable	PVC, 4x0,14mm <sup>2</sup>

**Electrical Data**

Current	DC
Rated operational voltage Ue	24V DC
Supply Voltage	10...30V DC
Ripple	< 10% from UB
Frequency of Supply Voltage	DC
No-load supply current	<35mA
Short protection	yes
Protected against polarity reversal	yes



Utilization categories  
 Insulation class

DC13

Datasheet number:

Definitions see general catalog.  
 If not otherwise noted, ratings according to  
 IEC 60947-5-2 (DIN EN60947-5-2)

Balluff GmbH  
 Schurwaldstrasse 9  
 73765 Neuhausen a.d.F.  
 Phone (07158) 173-0 Fax (07158) 5010

Datenblatt by CD-ROM - 04/2007

